

Air Intake Filter Specification Template

FOR PRICING SEND TO:

EMAIL: ascquoterequest@gmail.com or FAX: 513-860-9785

BAC FXT Series Cooling Towers

Company Name: _____ Contact: _____

Tel. _____ Cell: _____ Fax: _____

Email: _____ End Customer: _____

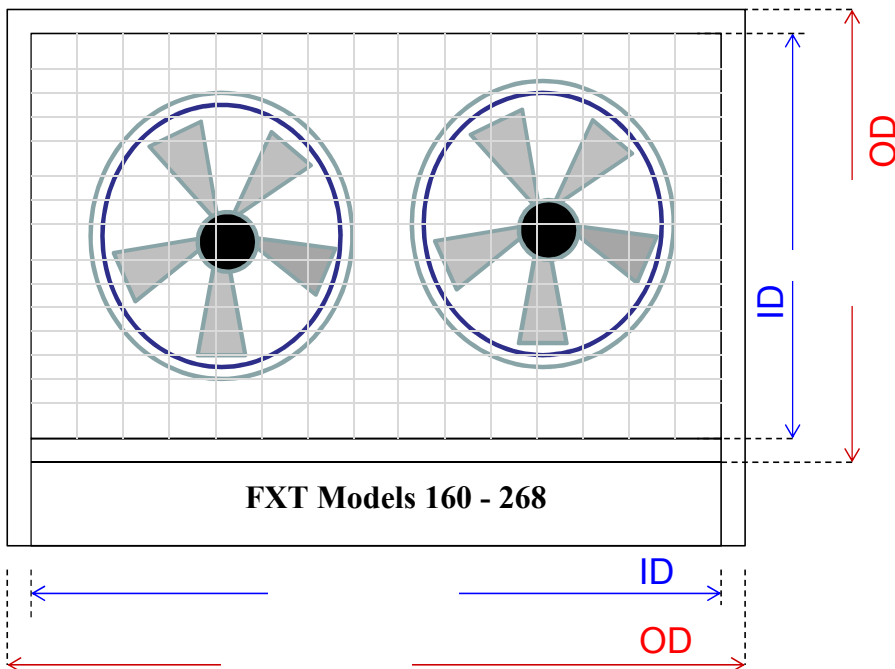
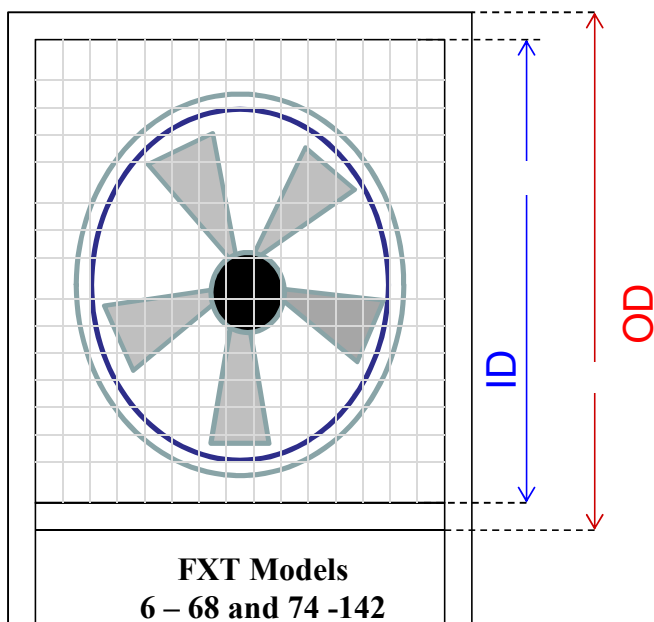
PLEASE READ BEFORE TAKING MEASUREMENTS: Please indicate both the *inside dimension* and *outside dimension (including flange)* of the air intake opening. Sometimes the filter may have to fold around an edge to attach to an adjacent side if there isn't sufficient overlap space or, sheet metal flashing may be required to create a flange sufficient for attaching the filter. When providing both ID and OD measurements, filters will be sized so center of filter fastening grommets will align with the center point of the available fastening surface. **If you do not provide both ID and OD measurements, then the dimensions will require verification prior to production to ensure a perfect fit. NOTE: Filter size will vary +/- 1/8"**

Make: _____

Model: _____

Number of Units Of this model: _____

Comments: _____



Air Intake Filters Are Manufactured By: The Air Solution and Newway Company, Commerce Twp, MI 48382
www.airsolutioncompany.com

Air Intake Filters are protected under one or more of the following U.S. and foreign patents: 5,370,722 • 5,529,593 • 6,197,077 B1 • 2170244 • 95904185.6-2113 • 7,323,028 • Other Patents Pending.
 This template is copyright by Air Solution Company & Newway Company. This template is to only be used for capturing specifications which will be sent to Air Solution Company & Newway Company for purposes of price quotes and production. It may not be sent to any other third party manufacturer for any purpose including price quotation and product replication without written permission of the Air Solution and Newway Company