

Air Intake Filter Specification Template

FOR PRICING FAX SPECIFICATIONS TO: 513-860-9785

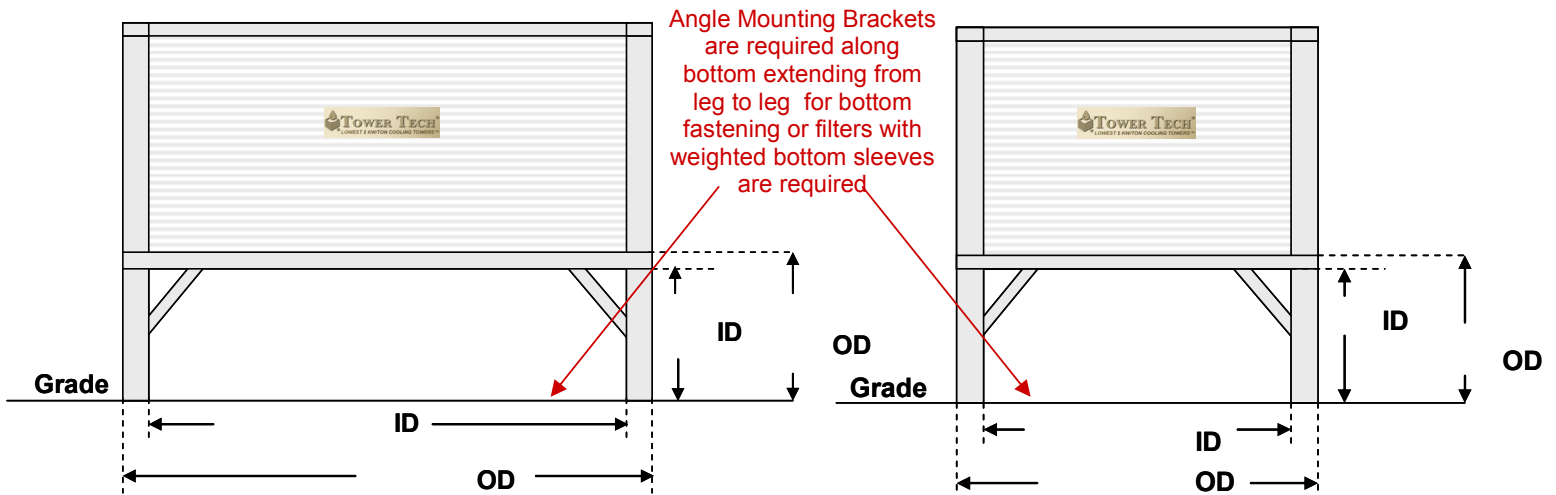
Tower Tech Cooling Tower

- Company Name: _____ Contact Name: _____
- Contact Phone Number: _____ Cell: _____ Fax _____
- Email Address: _____ End Customer: _____
- Equipment (Model) _____

PLEASE READ BEFORE TAKING MEASUREMENTS: Please indicate both the *inside dimension* and *outside dimension (including flange)* of the air intake opening. When you provide both ID and OD measurements, filters will be sized so center of filter fastening grommets will align with the center point of the available fastening surface. On some cooling towers, flashing may be required across the top behind the filter to create a fastening surface. **If you do not provide both ID and OD measurements, then the dimensions will require verification prior to production to ensure a perfect fit. NOTE: Filter size will vary +/- 1/8"**

Side View

End View



Comments / Instructions

Air Intake Filters Are Manufactured By: The Newway Company dba/ Air Solution Company, Commerce Twp, MI 48382

www.airsolutioncompany.com

Air Intake Filters are protected under one or more of the following U.S. and foreign patents:

5,370,722 • 5,529,593 • 6,197,077 B1 • 2170244 • 95904185.6-2113 • 7,323,028 B2 • 7,416,577 Other Patents Pending.

This template is copyright by The Newway Company dba/ Air Solution Company. This template is to only be used for capturing specifications which will be sent to Air Solution Company & Newway Company for purposes of price quotes and production. It may not be sent to any other third party manufacturer for any purpose including price quotation and product replication without written permission of The Newway Company.